

HOW TO ORDER:

EXAMPLE: 190 - 007 - 6 - 14S - 5 P W M

PRODUCT SERIES _____

BASIC NO _____

6 = PLUG ASSEMBLY _____

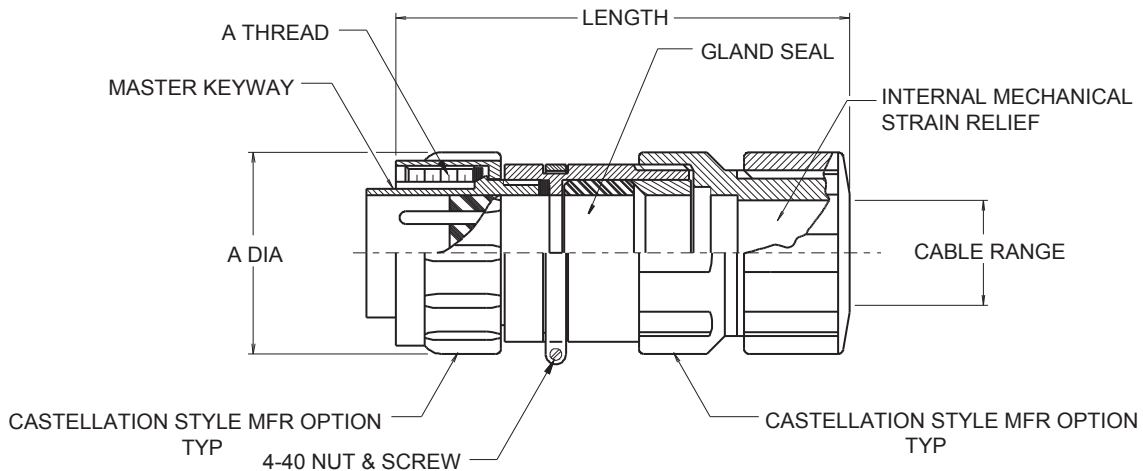
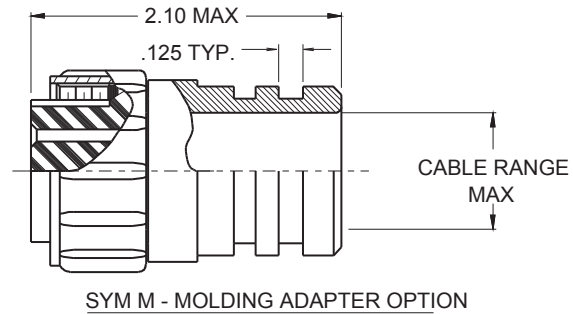
SHELL SIZE, TABLE I _____

INSERT ARRANGEMENT DASH NO. _____

CONTACT STYLE : _____
 P = PIN
 S = SOCKET

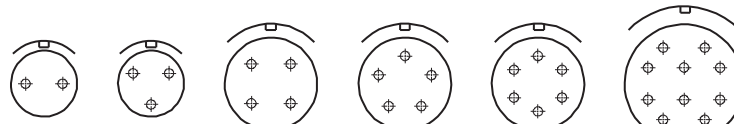
ALTERNATE INSERT POSITION, OMIT FOR NORMAL _____

M = MOLDING ADAPTER _____
 C = CONNECTOR ONLY (NO ADAPTER)
 OMIT FOR STANDARD



INSERT ARRANGEMENTS

FACE VIEW OF PIN INSERT SHOWN



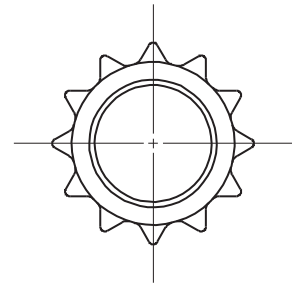
INSERT ARRANGEMENT:	10SL-4	10SL-3	14S-2	14S-5	14S-6	18-1
CONTACT SIZE & QUANTITY:	2 - #16	3 - #16	4 - #16	5 - #16	6 - #16	10 - #16
MS SERVICE RATING:	A	A	INST	INST	INST	4A 6 INST

190-007-6
Composite Connector, Plug
Environment Resistant
MIL-DTL-5015 Type



MIL-DTL-5015

TABLE I: CONNECTOR DIMENSIONS						
SHELL SIZE	A MAX	B FLATS	STD CABLE RANGE		CONFIGURATION STYLE	LENGTH MAX
			MIN	MAX		
10SL	1.15 (29.2)	.87 (22.1)	.203 (5.2)	.375 (9.5)	I	3.00
14S	1.33 (33.8)	.87 (22.1)	.203 (5.2)	.375 (9.5)	I	3.00
18	1.60 (40.6)	1.00 (25.4)	.328 (8.3)	.500 (12.7)	I	3.00



NOTES:

1. ASSEMBLY IDENTIFIED WITH MANUFACTURER'S NAME AND P/N, SPACE PERMITTING.
2. GLENAIR 190-007 CONNECTOR FEATURES:
 - A. BARREL, COUPLING NUT & REAR ACCESSORY HARDWARE: HIGH GRADE ENGINEERING THERMOPLASTIC (RYTON).
 - B. INSULATOR, O-RING, GROMMET: NITRILE/NEOPRENE
 - C. GROMMET FOLLOWER: NYLON
 - D. CONTACTS: GOLD PLATED COPPER ALLOY WITH SOLDER POTS .
 - E. CONTACT CURRENT RATING: #20-5 AMPS, #16-10 AMPS, #12-17 AMPS, #8-35 AMPS.
 - F. RATED OPERATING VOLTAGE: SERVICE RATING INST - 250 VDC
SERVICE RATING A - 700 VDC
 - G. DIELECTRIC W/STANDING VOLTAGE (HI-POT): SERVICE RATING INST - 1000 VRMS
A - 2000 VRMS
 - H. INSULATION RESISTANCE: 5000 MEGOHMS MINIMUM AT 500 VDC AND +25AC
 - J. TEMPERATURE RANGE: -55AC TO +125AC
3. ELECTRICAL SAFETY LIMITS MUST BE ESTABLISHED BY THE USER .
PEAK VOLTAGES, SWITCHING SURGES, TRANSIENTS, ETC., SHOULD BE USED TO DETERMINE THE SAFETY OF APPLICATION .